



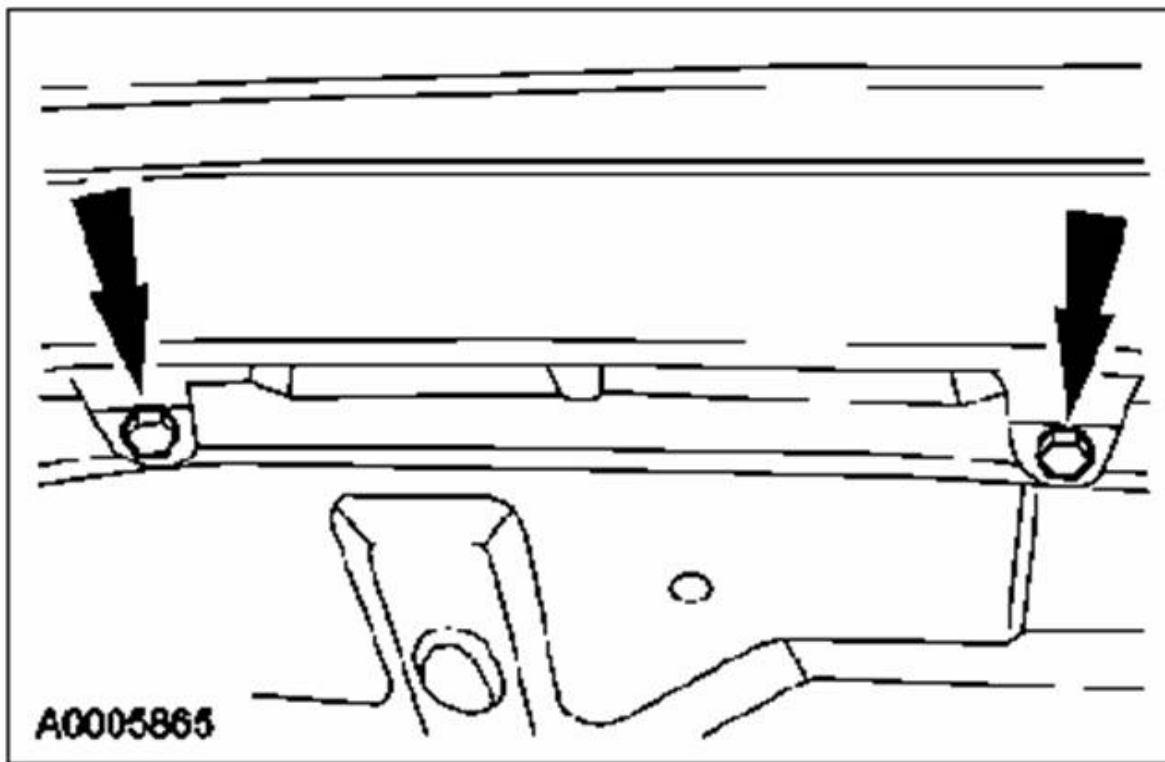
Rear Bumper Cover Removal and Installation

BEFORE PROCEEDING READ THE FOLLOWING DISCLAIMER:

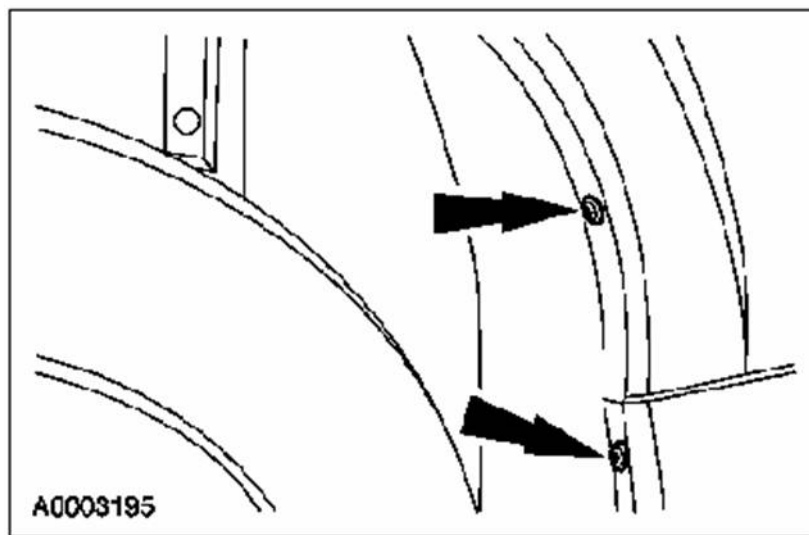
The information contained on this website is anecdotal, is provided by non-professional LS owners, and is not endorsed by LS Concepts. Hopefully readers will find this information useful; however they should use caution and common sense before undertaking any of the procedures described, as working on automobiles may be dangerous. LS Concepts makes no representations of the effect non-professional modifications or servicing may have upon the warranty or safe operation of your vehicle.

RH and LH Side

1. Remove the screws from the rear valance.

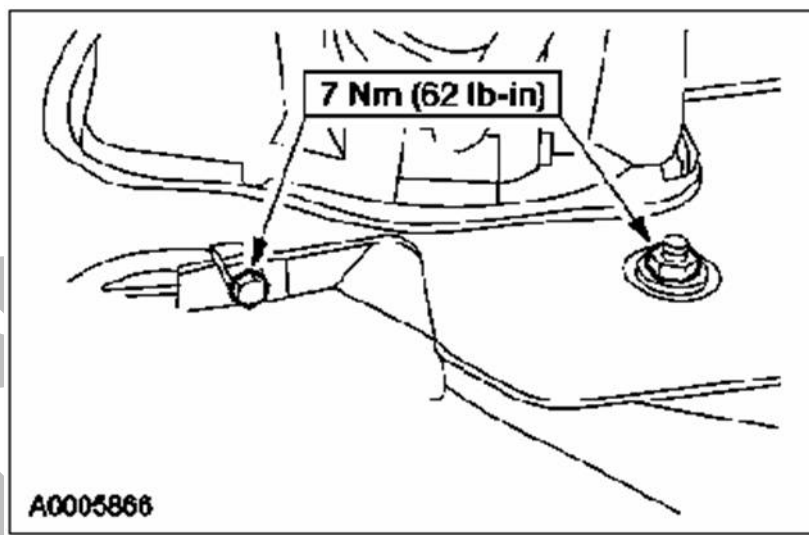


2. Remove the four inner fender screws.



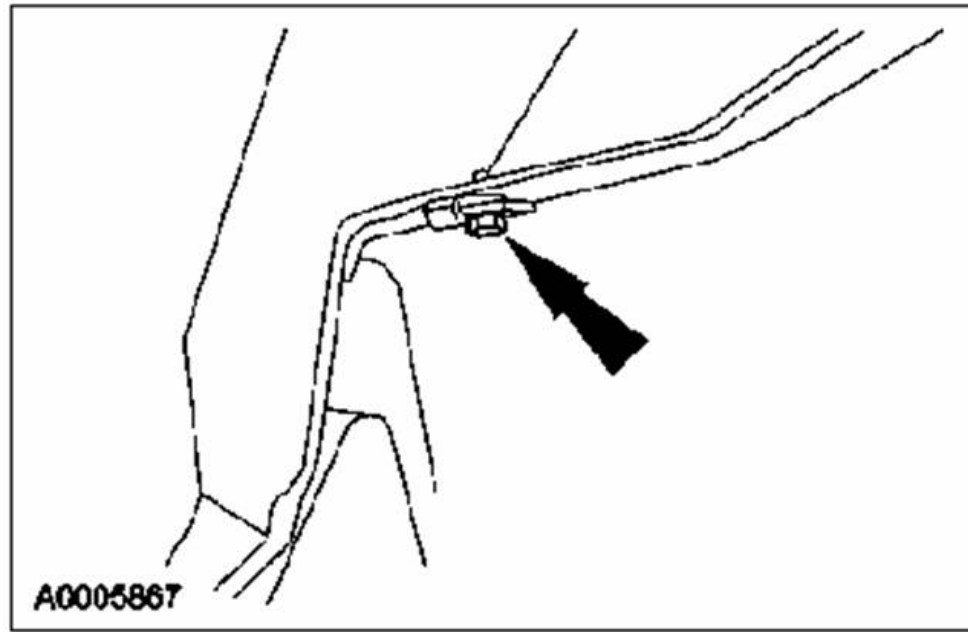
RH Side Only

3. Remove the rear bumper cover bolt and the nut located in the wheelwell area.



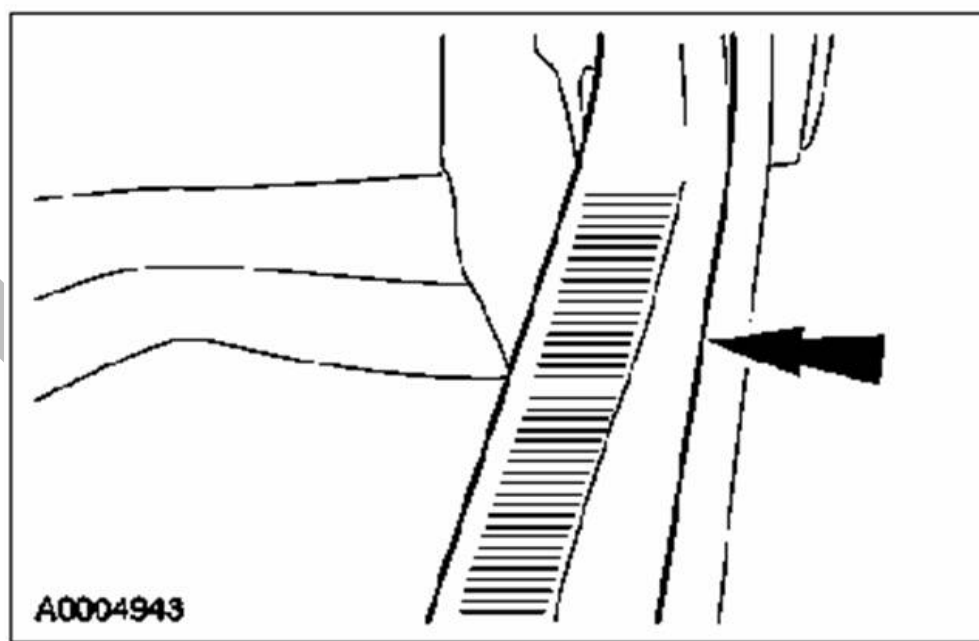
LH Side Only

4. Remove the rear bumper cover bolt.

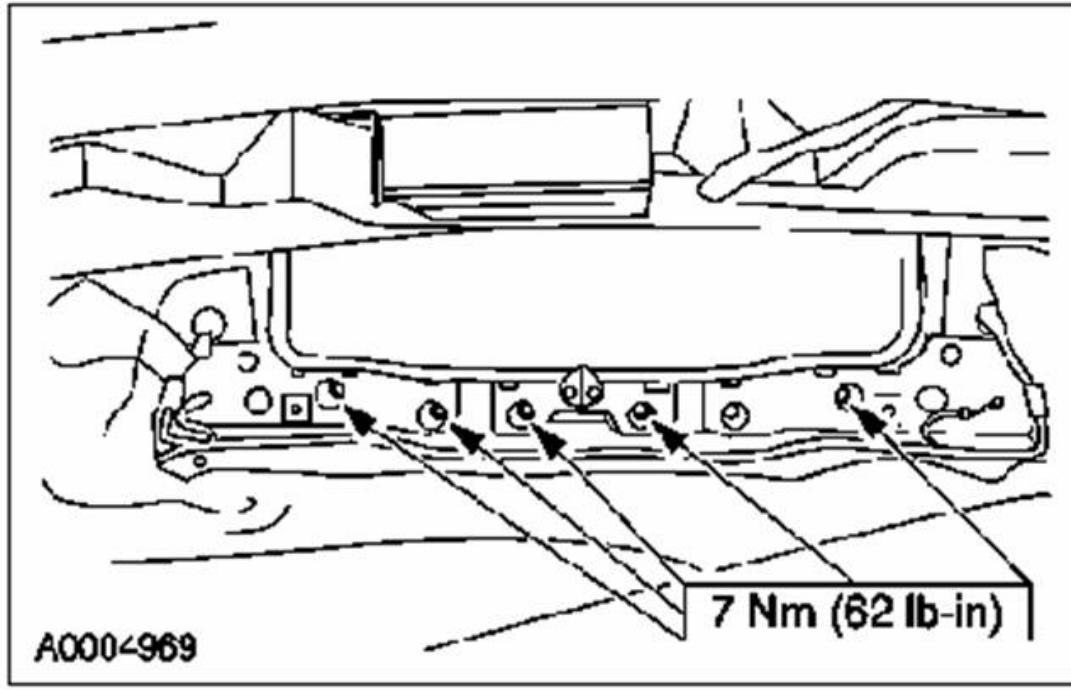


RH and LH Side

5. Remove the luggage compartment scuff plate.



6. Remove the luggage compartment back and side panel trim.
7. From the luggage compartment, remove the 10 rear bumper cover nuts (five each side).



8. Remove the rear bumper cover. Note: Use two people to remove the bumper.

LSK